

FLOOR MOUNTED 'A' SERIES JIB CRANE SPECIFICATIONS

CAP. (LBS.)	DIMENSIONS								BOLT HOLES	BEAM TYPE	B = 10' HT.		B = 12' HT.		B = 14' HT.	
	A	D	FW	E	W	F	BD	BC			LBS.	MODEL	LBS.	MODEL	LBS.	MODEL
1,000	8'	6"	3-3/8"	3'	4'	10-1/4"	24"	20"	6	S	670	A1108	715	A1128	760	A1148
1,000	10'	8"	4"	3'	4'	10-1/4"	24"	20"	6	S	822	A11010	878	A11210	934	A11410
1,000	12'	8"	4"	3'	4'	10-1/4"	24"	20"	6	S	858	A11012	914	A11212	970	A11412
1,000	14'	8"	4"	3'	5'	12-1/4"	36"	32"	12	S	1084	A11014	1140	A11214	1501	A11414
1,000	16'	10"	4-5/8"	3'	5'	12-3/8"	36"	32"	12	S	1470	A11016	1569	A11216	1668	A11416
1,000	18'	10"	4-5/8"	3'	5'	12-3/8"	36"	32"	12	S	1521	A11018	1620	A11218	1792	A11418
1,000	20'	12-3/8"	6-1/2"	3'	5'	17-3/8"	36"	32"	12	W	1919	A11020	2028	A11220	2137	A11420
2,000	8'	8"	4"	4'	5'	10-1/4"	36"	32"	12	S	917	A2108	973	A2128	1029	A2148
2,000	10'	8"	4"	4'	5'	10-1/4"	36"	32"	12	S	954	A21010	1010	A21210	1428	A21410*
2,000	12'	10"	4-5/8"	4'	6'	12-3/8"	36"	32"	12	S	1368	A21012	1467	A21212	1567	A21412
2,000	14'	12-3/8"	6-1/2"	4'	6'	12-3/8"	36"	32"	12	W	1525	A21014	1688	A21214	1797	A21414
2,000	16'	12-3/8"	6-1/2"	4'	7'	12-3/8"	36"	32"	12	W	1642	A21016	1751	A21216	1860	A21416
2,000	18'	16"	7"	4'	7'	17-3/8"	42"	38"	12	W	2124	A21018	2233	A21218	2480	A21418
2,000	20'	16"	7"	4'	7'	17-3/8"	42"	38"	12	W	2204	A21020	2434	A21220	2560	A21420
3,000	8'	10"	4-5/8"	4'	6'	12-3/8"	36"	32"	12	S	1267	A3108	1366	A3128	1465	A3148
3,000	10'	10"	4-5/8"	4'	6'	12-3/8"	36"	32"	12	S	1318	A31010	1417	A31210	1589	A31410
3,000	12'	12-3/8"	6-1/2"	4'	6'	12-3/8"	42"	38"	12	W	1612	A31012	1721	A31212	1830	A31412
3,000	14'	16"	7"	4'	7'	17-3/8"	42"	38"	12	W	1964	A31014	2073	A31214	2320	A31414
3,000	16'	16"	7"	4'	7'	17-3/8"	48"	44"	12	W	2360	A31016	2485	A31216	2611	A31416
3,000	18'	16"	7"	4'	8'	17-3/8"	48"	44"	12	W	2440	A31018	2565	A31218	2759	A31418
3,000	20'	21"	6-1/2"	4'	8'	17-3/8"	48"	44"	12	W	2891	A31020	3016	A31220	3210	A31420
4,000	8'	10"	4-5/8"	4'	6'	12-3/8"	36"	32"	12	S	1320	A4108	1429	A4128	1538	A4148
4,000	10'	12-3/8"	6-1/2"	4'	6'	12-3/8"	36"	32"	12	W	1451	A41010	1561	A41210	1669	A41410
4,000	12'	16"	7"	4'	7'	17-3/8"	42"	38"	12	W	1993	A41012	2118	A41212	2243	A41412
4,000	14'	16"	7"	4'	7'	17-3/8"	42"	38"	12	W	2069	A41014	2194	A41214	2320	A41414
4,000	16'	21"	6-1/2"	4'	8'	17-3/8"	48"	44"	12	W	2663	A41016	2788	A41216	2982	A41416
4,000	18'	23-3/4"	7"	4'	8'	21-3/8"	48"	44"	12	W	3313	A41018	3454	A41218	3595	A41418
4,000	20'	23-3/4"	7"	4'	8'	21-3/8"	48"	44"	12	W	3437	A41020	3578	A41220	4344	A41420**
6,000	8'	16"	7"	4'	7'	17-3/8"	42"	38"	12	W	1757	A6108	1882	A6128	2007	A6148
6,000	10'	16"	7"	4'	7'	17-3/8"	42"	38"	12	W	1928	A61010	2053	A61210	2179	A61410
6,000	12'	16"	7"	4'	7'	21-3/8"	48"	44"	12	W	2738	A61012	2879	A61212	3020	A61412
6,000	14'	21"	6-1/2"	4'	8'	21-3/8"	48"	44"	12	W	3093	A61014	3234	A61214	3375	A61414
6,000	16'	23-3/4"	7"	4'	8'	21-1/2"	48"	44"	12	W	3771	A61016	3979	A61216	4188	A61416
6,000	18'	23-7/8"	9"	4'	9'	21-1/2"	54"	50"	12	W	4448	A61018	4656	A61218	4864	A61418
6,000	20'	23-7/8"	9"	4'	9'	24-1/2"	54"	50"	12	W	4980	A61020	5231	A61220	5482	A61420
10,000	8'	21-1/8"	8-1/4"	4'	9'	21-3/8"	60"	56"	12	W	3371	A10108	3513	A10128	4523	A10148
10,000	10'	21-1/8"	8-1/4"	4'	9'	21-1/2"	60"	56"	12	W	3977	A101010	4186	A101210	4659	A101410
10,000	12'	21-1/8"	8-1/4"	4'	9'	24-1/2"	66"	60"	12	W	4657	A101012	4908	A101212	5628	A101412
10,000	14'	23-7/8"	9"	4'	9'	24-1/2"	66"	60"	12	W	4987	A101014	5238	A101214	5985	A101414
10,000	16'	23-7/8"	9"	4'	10'	24-1/2"	66"	60"	12	W	5139	A101016	5390	A101216	6137	A101416
10,000	18'	23-7/8"	9"	4'	10'	29-1/2"	72"	66"	12	W	6138	A101018	6453	A101218	6769	A101418
10,000	20'	24-1/2"	9"	4'	10'	29-1/2"	72"	66"	12	W	6896	A101020	7211	A101220	7526	A101420

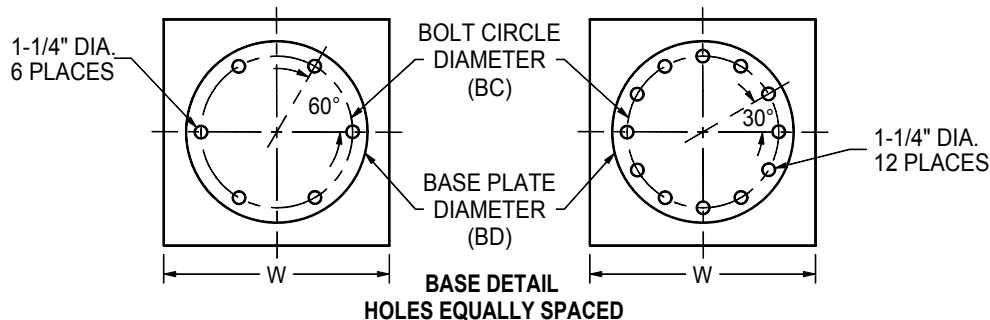
Jib Crane Accessories:

- Anchor Bolt Kits
- Tagline Kits
- Templates
(Paper & Plywood)
- Hoists & Trolleys
(Electric & Manual)
- Motorized Rotation

"S" type beams are standard beams with tapered flanges. "W" type beams are wide-flange beams with flat flanges. The trolley used on a "W" type beam must be designed to operate on a wide-flange beam.

* Model A21410 has an 'F' dimension of 12-1/4".

** Model A41420 has an 'F' dimension of 21-1/2"



1377 Kimberly Drive
Neenah, WI 54956-1642
Phone (920) 722-0101
Fax (920) 725-1394

www.contrx.com